



Strategic Air Command Memorial Amateur Radio Club

Volume 1, Issue 1

Feb 2003

SACMARC
P.O. Box 1292
Bellevue, NE 68005

Veterans Day Operation K0GRL

Inside this issue:

Build a 2 Meter J-Pole	2
Current Club Officers	2
A simple Long Wire Tuner	3
Make Your Own QSL Cards.	3
Events and Local Nets.	4

The Strategic Air Command Memorial Amateur Radio Club's Veteran's Day operation of K0GRL was a big success. Over 500 stations were contacted on 20, 15 & 10 meters during the day and on 80 and 40 meters that evening.

At last count a little over 250 QSL's were received and cards were sent right back to those folks.

Many nice comments were received both on QSL cards and in notes attached.

This is shaping up to be an annual event. Club members will be pressed into service for this years event in hopes that we can have several stations on the air at once and cover all the

bands all day long.

Special thanks to John N4OWG for the last minute use of his great station and to the other four operators.

KC0BDX—Andrew

K3FU — Paul

W9HZC— Dar

And

AA0ZP— Frank (who covered 80 and 40 for us that night).

This years (2003) Veteran's Day will be Tuesday, November 11th. All club members are encouraged to contact the event chairman and volunteer your station or your time for this event.

This years Veteran's Day



K0GRL QSL Card

Event Chairman is W9HZC, Darwin and you may e-mail him at the following two e-mail addresses.

W9HZC@cox.net—or

President@sacmarc.org



Special points of interest:

- * Interested in PSK-31? Talk to Tom, WD0BFO.
- * Interested in joining the QCWA? Talk to Dick, W0HXL
- * Interested in QRP? Ask Dar, W9HZC.
- * Want to know more about antennas—go to <http://www.cebik.com/radio.html>.

Family Day at the Strategic Air and Space Museum

Family Day at the Museum is Saturday, April 5th, 2003, from 11 AM to 4 PM.

SACMARC intends to have a station up and running along with a

static display from the AK-SAR-BEN club.

Those wishing to help out during the day should contact any club officer as soon as possible.

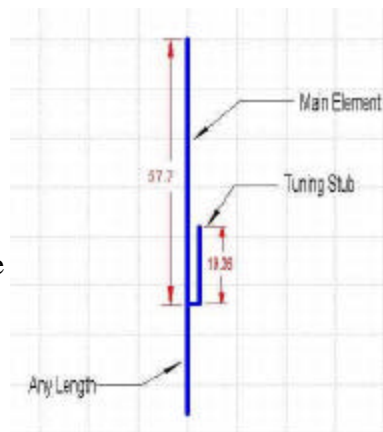
This should be another fun event. Advertising for the event will be sent out soon.

Watch the website for more information.

A 146 MHz. J-Pole Antenna

Here is a 2 meter (146 MHz) J-Pole antenna that is inexpensive, and easy to build. Use 3/4 inch copper pipe, and the associated fittings necessary.

The dimensions for the J-pole are in inches. Measurements on overall length, and stub length are from the centerline of the



144 MHz J-Pole

separation pipe (horizontal) to the top of the antenna. The Connect at measurement is 2 1/4 inches from the top of the horizontal member to the point of connection. The distance between the main element of the j-pole centerline and the tuning stub centerline is 2". Cut a length of RG-8X

foam coax to a length of 67" for the feedline, and coil up 4 turns (as small as you can get it) just below the horizontal part of the matching section. This will de-couple the feedline from the j-pole antenna, and help provide some lightning protection. Connect the center conductor of the coax to the main element, and the shield to the tuning stub of the j-pole.

J-Pole (Cont.)

In all of the above dimensions, they are to be considered starting points for constructing a j-pole. Temporarily attach the coax using 1 inch hose clamps, and adjust the coax connection first to the lowest SWR. From there, adjust the length of the main element of the J-pole. Then start over by re-adjusting the coax connection.

The point where the tuning stub attaches to the main element is the j-pole antenna's ground point. That is why you can make it any length. It is a good idea to provide a ground here.

Building things is much more fun
that buying them. See article on
antenna tuner.

This too will help with lightning protection. (provided your tower is properly grounded!)

Only use rosin-core solder. Don't use "plumbing solder", acid-core solder, or plumbing paste. The acid in these materials breaks down the solder joint when electric current passes through it.

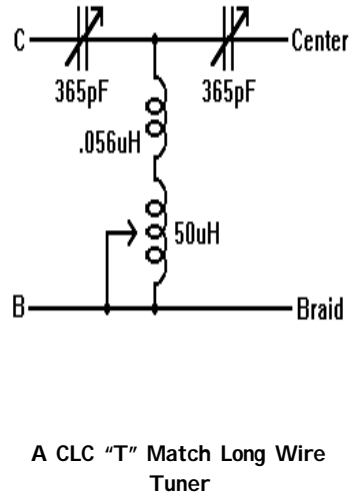
2003 club officers.

President:	Darwin Piatt,	W9HZC	president@sacmarc.org
Vice President:	Roy Gertig,	NØRG	vp@sacmarc.org
Treasurer:	Joan Bellairs,	KCØDTK	treasurer@sacmarc.org
Secretary:	Andrew Dandridge,	KCØBDX	secretary@sacmarc.org
Property Manager:	George Bellairs,	KBØZZT	property@sacmarc.org
KØAIR Trustee:	Paul Schleck,	K3FU	k0air@sacmarc.org
KØGRL Trustee:	Roy Gertig,	NØRG	k0grl@sacmarc.org

Long Wire CLC Antenna Tuner (from N7MR)

The small inductor is 2 turns at a .5" diameter. Keep the turns close and let the stiffness of the wire hold the coil in mid-air. The capacitor bodies have to be insulated from the case. The easiest way to do that is to use a plastic case. You'll need a 12 position single pole rotary switch to select points along the big inductor. The big inductor can be 40-50 turns of 24awg insulated phone wire on a

35MM plastic film canister (or you can use a leftover pill bottle.) Wrap the wire onto the canister to get as many turns as possible, then take the wire off and stripped 1/4" of insulation off at 12 evenly spaced intervals along the length of the wire.



Solder a 4-6" piece of 24awg wire to each stripped location. These will then be soldered to the rotary switch. Re-wrap the long wire around the canister. You don't need to mount the canister. With all the taps soldered to the rotary switch, it won't

be going anywhere.

I made two of these, one QRP and one QRO. For the QRP version, find a couple of old transistor radios at a garage sale and a small plastic box (like a pencil box), then rip out the little tuning caps. For higher power, a couple of tuning capacitors out of old kitchen type (5 tube radio) will work just fine. Still need to make sure the

caps are not touching ground. These both can be used to tune an end-fed wire from 160 to 10 meters. Try it, it's fun, easy and damned if it doesn't work..

Parts list:

- 2 365pF variable capacitors
- 1 12position single pole rotary switch
- 1 35MM plastic film canister or pill bottle
- 20' of 24awg insulated solid core wire
- 1 plastic case

Total cost should be around \$15.

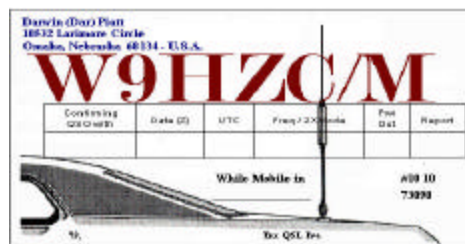
Make your own QSL Cards.

If you have a printer and a few moments to play around you can create your own QSL cards right in your own shack.

First you have to go to the web site of WB8RCR.

<http://www.qsl.net/wb8rcr>

Download the latest version of his QSL maker program and



My home made card.

you are off and running. You can use your own graphics and let your imagination run wild. I have cards now for both mobile and fixed. Very cool. Give it a try.

de w9hzc

SACMARC
P.O. Box 1292
Bellevue, NE 68005



We're on the web at
<http://www.sacmarc.org>

The Strategic Air Command Memorial Amateur Radio Club (SACMARC), Incorporated, is a Non-Profit, Public Benefit Corporation in the State of Nebraska and is affiliated with the American Radio Relay League, Incorporated, of Newington, Connecticut. The purpose of the corporation is to preserve the communications history of the Strategic Air Command and United States Air Force through amateur radio by a variety of lawful means. A historic military-recreation callsign (formerly associated with Headquarters SAC, **Offutt Air Force Base**, near Omaha, Nebraska), **KØAIR**, as well as the personal callsign of **General Curtis E. LeMay** when he was the CINCSAC, **KØGRL**, were recovered from the **Federal Communications Commission (FCC)** in order to serve as a living exhibit of both past and present amateur radio communications.

SACMARC

2003 events/training and nets

2003 Ham Flea Markets

Sat Feb 1 0800-????
Kearny, NE
<http://www.arrl.org/sections/NE>.

html

Sun Mar 1 0900-1400
CB, IA SWIARC
<http://www.arrl.org/sections/NE>.

html

Sat Mar 22 0800-1600
NE ARRL ST convention in
Norfolk, NE
<http://www.arrl.org/sections/NE>.

html

Sat Apr 19 0800-????
KC, MO,

Sat Jun 14 0800-????
IA ARRL ST convention in Sioux City,
IA
<http://www.3900club.com>

3rd Sun on odd # months 1330-????
Omaha Red Cross DC
ARES regular meetings
http://members.cox.net/douglas_ares

NETS:

M-F 7:30 A.M. 3.9835 NE MORNING NET
M-F 6:30 P.M. 3.9820 NE STORM NET
M-F 8:30 P.M. 147.09 DENISON, IA
M-F 9:00 P.M. 146.76 East NE ARES
M-F 12:30 P.M. 3.980 CORNHUSKER NET
MON 8:00 P.M. 145.115 Sarpy Co. ARES
MON 9:00 P.M. 146.940 Ak-Sar-Ben ARC Informal Net
MON 9:00 P.M. 145.29 MILLS CO. IA
TUE 7:00 P.M. 146.940 QCWA
TUE 8:00 P.M. 144.250 2M SSB NET
WED 7:00 P.M. 146.67 DODGE CO. ARES
WED 8:00 P.M. 145.31 ASHLAND ARC
WED 9:00 P.M. 146.82 POTTAWATTAMIE CO. ARES

WED 9:00 P.M. 146.73 NEBRASKA CITY ARES
THUR 7:00 P.M. 28.200 10 METER CW NET
THUR 8:00 P.M. 146.940 Heartland DX Association
THUR 8:30 P.M. 147.48(simplex) PLATTSMOUTH ARC
THUR 0200Z 434/421.25 AMATEUR TELEVISION NET
SAT 12:00 P.M. 146.820 SWAP NET
SAT 1:00 P.M. 146.940 Ak-Sar-Ben ARC Net All Area Hams Welcome
SAT 9:00 P.M. 50.300 LCS NET (SSB)
SUN 8:00 A.M. 3.901 TRADER NET
SUN 9:00 A.M. 3.896 3900 CLUB
SUN 7:00 P.M. 146.73 NE CITY, SE NE ARES
SUN 0000Z 28.400 10 METER PHONE NET
SUN 0200Z 146.940 MIDLANDS ARES 2 METER NET

